

Insite Pacific is proud to introduce the **Micro Zeus**, High Definition, Color, Zoom Camera. The Micro Zeus Camera offers exceptional High Definition Video, while being provided in a compact 1km - 6.5km depth rated pressure housing. The small size of the camera makes it suitable for applications where there are space limitations.

Water corrected wide angle optics in the Micro Zeus Camera provides an amazing 84 degree diagonal angle of view.

The Micro Zeus Camera has electrical HD-SDI and 3G-SDI High Definition digital video outputs of 1080p/59.94, 1080p/50, 1080p/29.97, 1080p/25, 1080i/59.94, 1080i/50, 720p/59.94, 720p/50, 720p/29.97, and 720p/25 available from a single camera via a combination coaxial/electrical hybrid connector. The Standard Definition analog video outputs of NTSC & PAL are also available.

Focus, iris, and zoom can be controlled via DC voltages, a GUI, or Insite Pacific's Camera/Lens Controller for maximum flexibility.

Insite Pacific's optional Camera/Lens Controller allows control of zoom, focus (auto/manual & near/far) and iris (auto/manual & open/close). The zoom is controlled by using a single axis rate control joystick, the focus by using a slide potentiometer for precise positional control, and the iris by using a rotary potentiometer. The various video outputs of the camera and white balance are selectable via the control unit. Communication between the hand control unit and the camera is selectable for either RS232 or RS485 comm's.



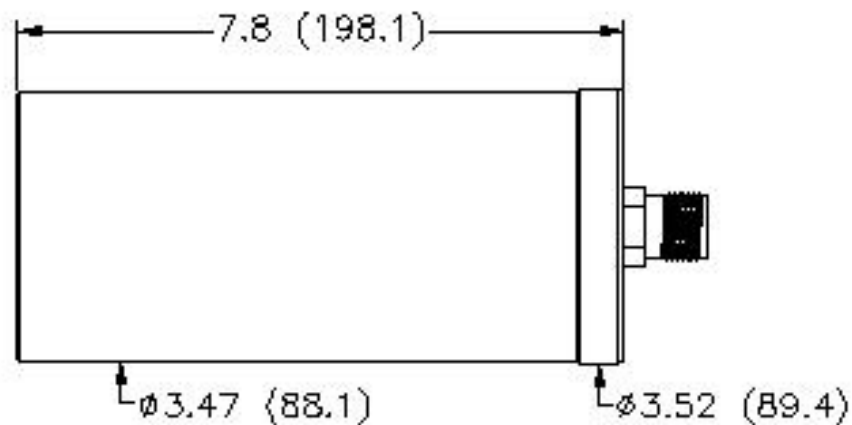
Features

- ❑ *Miniature Color Zoom HDTV Camera*
- ❑ *1080p / 1080i High Definition Video*
- ❑ *84 Degree Diagonal Angle of View in Water*
- ❑ *Water Corrected Wide Angle Optics*
- ❑ *Close Focus of 6" (152.4mm) from the Front of the Camera at Zoom Full Wide*
- ❑ *Close Focus of 24" (609.6mm) from the Front of the Camera at Zoom Full Tele*
- ❑ *HD: HD-SDI & 3G-SDI Digital Video Outputs*
- ❑ *SD: NTSC & PAL Analog Video Outputs*

Applications

- ❑ *Offshore Oil & Gas Industries*
- ❑ *Underwater Documentaries*
- ❑ *High Resolution Inspection In Restricted Access Areas*
- ❑ *Marine Archaeology*
- ❑ *Oceanographic Research*
- ❑ *Military*

Insite Pacific - Micro Zeus



All dimensions in inches [millimeters]

Specifications:

Electrical

Sensor: 1/2.8-inch Exmor CMOS
Sensitivity: 0.35 lux (1/30 second shutter speed)
HD-SDI & 3G-SDI HD Digital Video Formats: 1080p/59.94, 1080p/50, 1080p/29.97, 1080p/25, 1080i/59.94, 1080i/50, 720p/59.94, 720p/50, 720p/29.97, 720p/25
SD Analog Video Outputs: NTSC & PAL (Composite)
Signal to Noise Ratio: 50dB
Focus / Zoom / Iris: Remote control
Focus Range (At full tele): 24" (609.6mm) to infinity
Focus Range (At full wide): 6" (152.4mm) to infinity
Camera Power: 15-30 Vdc, 300 mA nominal
Iris Range: F1.8 to Close
Lens: 3.8 to 38mm, 10X Zoom lens

Angle of view	3.8mm	38mm
In water	(Wide angle)	(Telephoto)
Diagonal	84.0°	9.9°
Horizontal	76.3°	8.7°
Vertical	47.6°	4.9°

Environmental

Depth: 1,000 to 6,500 meter pressure housings available
Operating Temperature: -5°C (23°F) to 60°C (140°F)
Storage Temperature: -20°C (-4°F) to 60°C (140°F)

Mechanical

Dimensions above are for the 4,000 meter Titanium Housing

Weight In Air: 5.5 lbs. (2.5 kg)
Weight In Water: 2.75 lbs. (1.2 kg)
Housing Material: 6AL / 4V Titanium
Viewport: Acrylic
Connector: Customer specified



CAMERA CONTROL UNIT

All specifications are subject to change in line with Insite Pacific's policy of continual product development.

INSITE PACIFIC Inc.

742 GENEVIEVE STREET, SUITE T, SOLANA BEACH, CA 92075-2060, USA

Phone (858) 523-0642 Fax (858) 523-0643

Website: www.insitepacific.com Email: sales@insitepacific.com

Issue October 7, 2014