

Insite Pacific Inc, an internationally recognized leader in underwater video, is proud to introduce the **Helios 4K**, a full ocean depth LED underwater light.

The **Helios 4K** has a truly impressive light output of 4,642 lumens. It is an AC powered light with flicker free dimming control, optional dc powered.

Light intensity can be controlled via DC voltages or through either an RS232 or RS485 serial link using Insite Pacific’s Helios LED Driver software (GUI). Settings such as a Light Name, Light Number, Dimming Speed, and % Light Output can be saved. The saved settings will be retained when the light is turned off and will reload when the light is turned on.

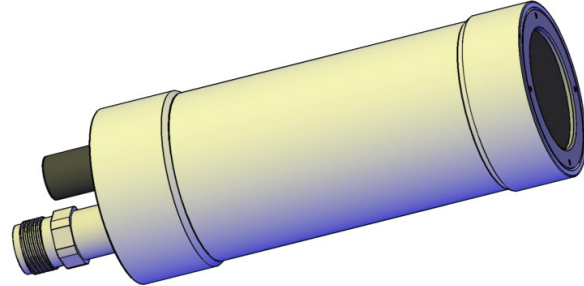
The Insite Pacific Helios LED Driver Software (GUI) can independently control up to 12 lights simultaneously using an RS485 interface.

The **Helios 4K** is supplied with a thermal monitoring electronic control circuit. This circuit turns the light off, when operating in air, should the light reach a maximum preset operating temperature.

The **Helios 4K** offers significantly greater shock and vibration resistance over other conventional lighting systems.

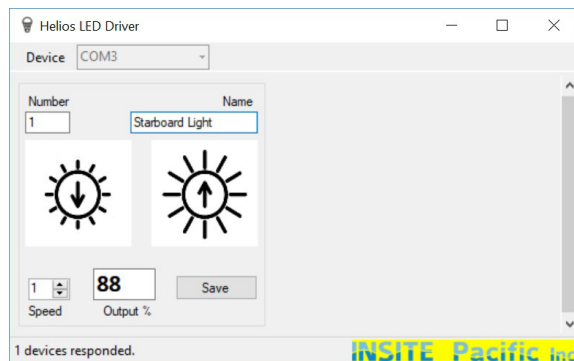
Standard housing pressure rated to 4.5 Km with optional deeper pressure ratings.

Disclaimer: This light **MUST NOT** be viewed directly with the naked eye when illuminated to avoid the possibility of permanent damage to the eyes.



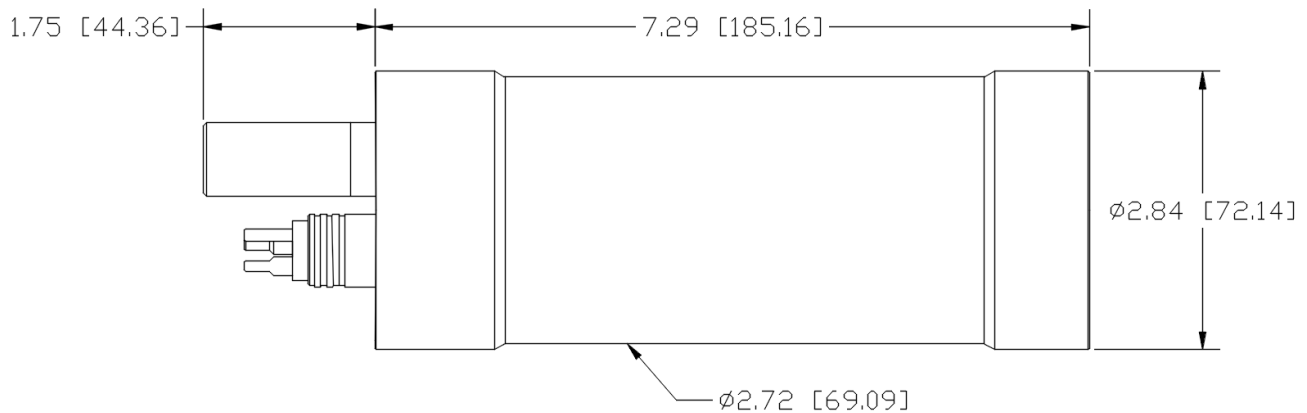
Features

- 4,642 Lumen Light Output (typical)
- A Color Rendition Index (CRI) of 90
- 5600K Color Temperature
- Long Life LED Light Bulb
- Fully Field Servicable
- DC Voltage Dimming Control
- RS232 or RS485 Dimming Control



Insite Pacific Inc. - "Helios 4K"

Specifications



Dimensions above shown for 4.5km depth rated light.

All measurements in inches [mm]

Electrical

Operating AC Voltage Range 85-130VAC, 47-63Hz
Input Current @ 120VAC 0.76A
Dimming Control 0 - 5VDC or 0 - 10VDC
Serial RS232 or RS485

Mechanical

Weight in Air 3.75 lbs (1.7 kg)
Weight in Water 2.1 lbs (0.95 kg)
Housing Material 7075-T6 Aluminum & Sapphire
Connector CRE BRA06M Type 02 Aluminium or customer specified.

Optical

Typical Luminous Power 4,642 Lumens
Color Temperature 5600K
Color Rendition Index 90
Beam Pattern in Water 80 Degree Conical Beam
Lumens Per Watt 55.5

Environmental

Depth Rating 14,764 ft. (4,500m) Standard
Deeper Depth Ratings Optional
Operating Temperature 32°F to 122°F (0°C to 50°C)
Storage Temperature -4°F to 140°F (-20°C to 60°C)

All specifications are subject to change in line with Insite Pacific's policy of continual product development.

Insite Pacific Inc.

6837 Nancy Ridge Drive, Suite G, San Diego, CA 92121, USA
Phone (858) 523-0642 Fax (858) 523-0643
Website: www.insitepacific.com Email: sales@insitepacific.com

Issue: April 11, 2024